

S2D-4CH 4 Channel Single Terminal- Differential Conversion Board

Version 1.1

1. Introduction

S2D-4CH is 4 channels isolation conversion board from single-ended signal into differential signal.

This manual mainly describes S2D-4CH interface specification, wiring method, size, etc. Please read this manual carefully for know more about the product and use more safely and accurately.

2. Copyright Statement



This manual is copyrighted by Shenzhen Technology Co., Ltd., without the written permission of the Zmotion Technology, no person shall reproduce, translate and copy any content in this manual.

Information contained in this manual is only for reference. Due to improvements in design and functions and other aspects, Zmotion Technology reserves the final interpretation! Subject to change without notice!

✧ Version is subject to the latest publishment of Zmotion Technology website:
www.zmotionglobal.com

3. Interface Description

➤ **Input terminal:**

Item	Identification	Function
1	EGND	24V power ground
2	E24V	24V power input
3	CH0	Input channel 0
4	CH1	Input channel 1
5	CH2	Input channel 2
6	CH3	Input channel 3

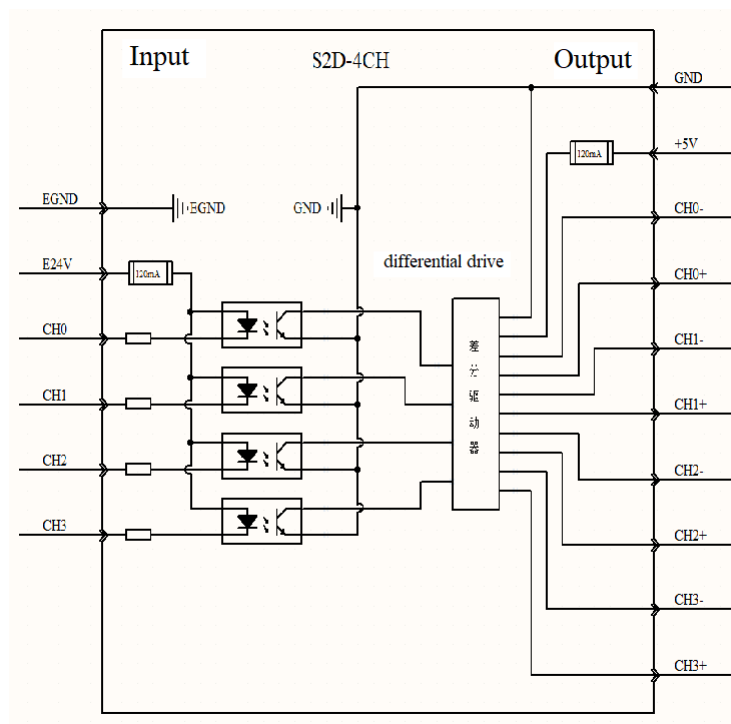
➤ **Output terminal:**

Item	Identification	Function
1	GND	5V power ground
2	+5V	5V power input
3	CH0-	Input channel 0 negative
4	CH0+	Input channel 0 positive
5	CH1-	Input channel 1 negative
6	CH1+	Input channel 1 positive
7	CH2-	Input channel 2 negative
8	CH2+	Input channel 2 positive
9	CH3-	Input channel 3 negative
10	CH3+	Input channel 3 positive

4. Specification Description

Item	Specification
Model	S2D-4CH
Channel Number	4 channel inputs, 4 channel outputs
Isolation Type	Optocoupler Isolation
The Max Conversion Speed Ratio	10MHZ
Input Type	NPN type low electrical level valid input
The Max Input Voltage	29V
Input Open Voltage	<15V
Input Close Voltage	>14.5V
Input Impedance	3.3KΩ
Output Type	Differential output
Output Voltage	0.1V-4.7V

5. Wiring Reference



6. Size

